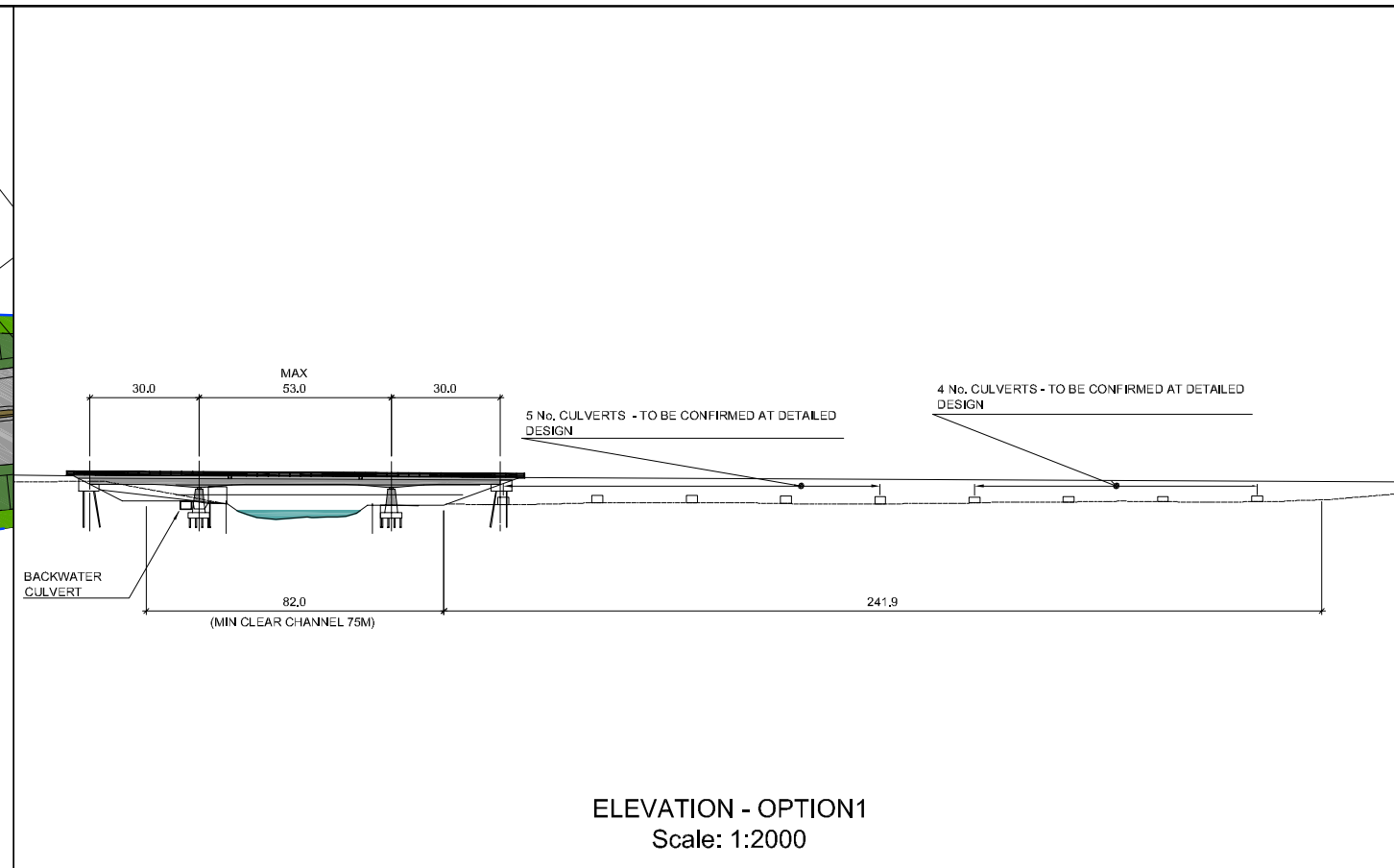
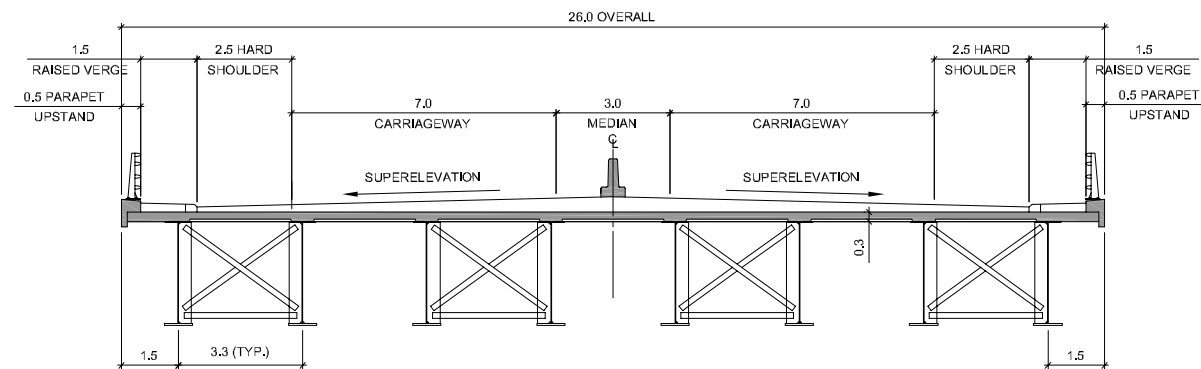


THREE SPAN BRIDGE  
Scale: 1:2000

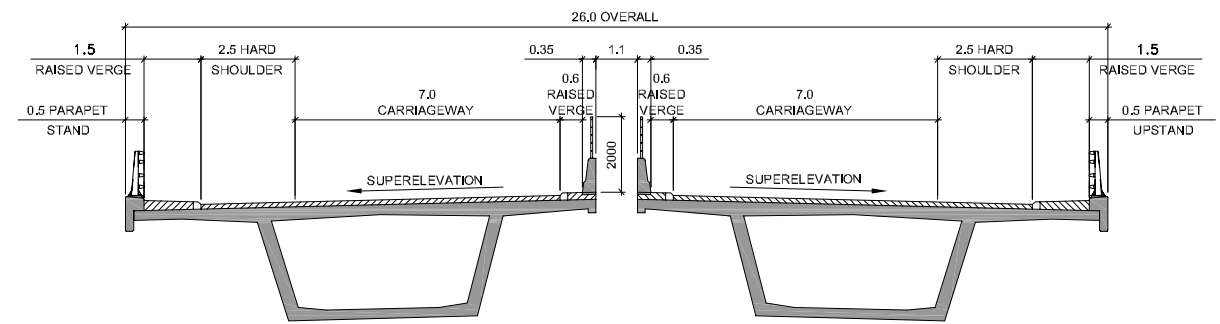


ELEVATION - OPTION 1  
Scale: 1:2000

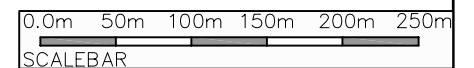
LEGEND	
CARRIAGEWAY	CULVERTS
MEDIAN	PERMANENT LAND ACQUISITION LINE
CUT/FILL/VERGE	TEMPORARY LAND ACQUISITION LINE
TEMPORARY WORKS	GENERAL LANDSCAPING



OPTION 1:  
STEEL CONCRETE COMPOSITE DECK  
Scale: 1:200



OPTION 2:  
CONCRETE BOX GIRDER  
Scale: 1:200



Based on Ordnance Survey of Ireland Map, Licence No. Kilkenny / CCMA / 03 / 07

Job Title:  
**N9/N10 KILCULLEN TO WATERFORD SCHEME  
WATERFORD TO POWERSTOWN**

Figure Title:  
**BARROW RIVER BRIDGE CROSSING  
CH. 75+550 - CH. 75+630**

Figure No: <b>4.139</b>	Rev: <b>0</b>
RODFM Drawing No: FIG 4.139	RODFM Job No: 02.176
Scale: AS SHOWN	Date: JAN '05